

TECHNOLOGICAL CONTAINER / SCOUT



Proof of friendship with nature

This container from the "Scout" series has been designed as an ecologically friendly and unobtrusive solution to match the landscape. Due to its shape and the materials used, the container becomes a natural part of the location at which it has been placed.

The container has a galvanized frame and gabled roof. Under the outer sheathing of wooden boards is the security cover made of zinc sheet steel which protects the container against any violent intrusion.

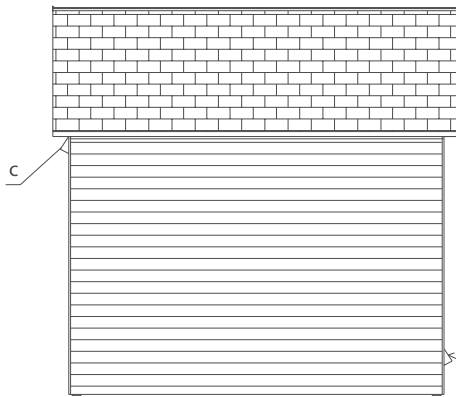
The container is delivered as a complete assembly ready to be mounted onto the pre-arranged foundation (upon customer request we can also deliver a light base plate). The installation is performed by means of a crane. Finally, the roof is fixed to the frame and finished with tiling. The assembly and placing time is reduced to a minimum of 4 hours.

Attached to the container can be up to 4 pieces of piping or lattice masts up to 9 m high.



TECHNOLOGICAL CONTAINER SCOUT – 2,5x4 m

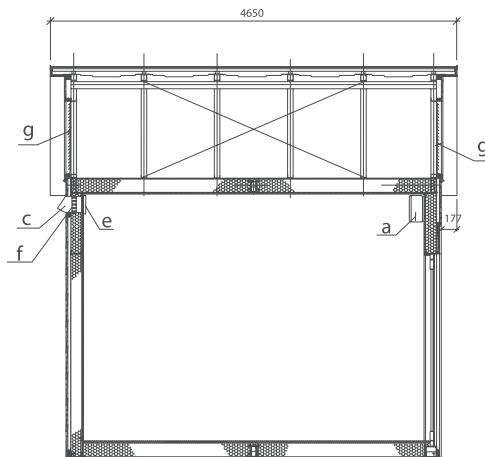
P2 VIEW



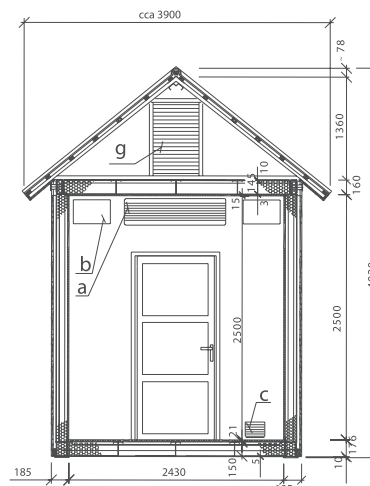
P1 VIEW



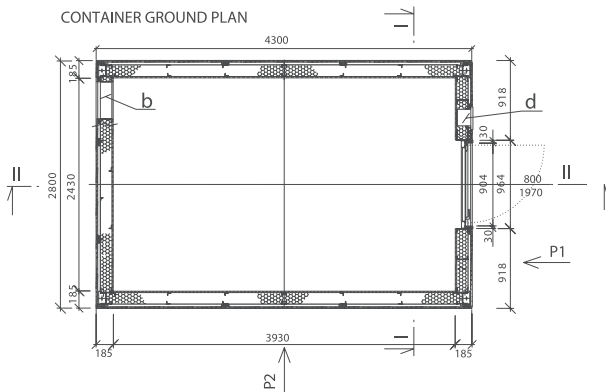
II-II CROSS-SECTION



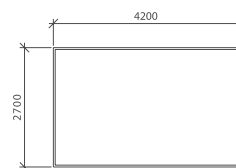
I-I CROSS-SECTION



CONTAINER GROUND PLAN



FOUNDATION FRAME DIMENSIONS



LEGEND:

- a ... Internal A/C unit
- b ... Antenna cables entry
- c ... Air chamber
- d ... Socket box
- e ... Fan 48V
- f ... Fire air brick
- g ... Rain-proof shutter 500/800mm

DIMENSIONS OF CONTAINERS	2,5x3m	2,5x4m	2,5x6m
OUTSIDE DIMENSIONS (mm)			
Housing length	3300	4300	6300
Housing width	2800	2800	2800
Housing height	2930	2930	2930
Ridge height	4020	4020	4020
Roof width	3900	3900	3900
Maximum length (ridge length)	3650	4650	6650
WEIGHT (kg)	4405	5252	6945

Due to continuous innovations TERMS a.s. reserves the right to make changes without any prior notification.